



Commercial status

Discontinued on: 31 December 2019

To be end-of-service on: 31 December 2027

TSXDMZ28DTK has not been replaced. Please contact your customer care center for more information.

ⓘ Restricted Sales for Services

Main

Range of product	Modicon TSX Micro automation platform
Product or component type	Discrete solid state I/O base DC
Discrete input number	16 1 HE-10 connector
Discrete input voltage	24 V DC, discrete input logic: positive
Discrete input current	7 mA
Discrete input type	Resistive
Discrete output number	12 1 HE-10 connector
Discrete output voltage	24 V DC
Discrete output current	0.5 mA
Discrete output logic	Positive

Complementary

Input voltage limits	>= 11 V at state 1 < 5 V at state 0
Current state 0 guaranteed	<= 1.5 mA
Current state 1 guaranteed	>= 2.5 mA
Input impedance	3.4 Ohm
Response time	<= 0.5 ms from state 1 to state 0 output <= 0.5 ms from state 0 to state 1 output 0.1...7.5 ms from state 1 to state 0 input 0.1...7.5 ms from state 0 to state 1 input
Input compatibility	2-wire/3-wire proximity sensor
Current consumption	132 mA
Power dissipation in W	3.5 W by module output 0.15 W by channel output 5 W input
Output voltage limits	19...30 V
Output current limits	0.625 A
Maximum leakage current	0.5 mA at state 0
[Ures] residual voltage	0.3 V
Load impedance ohmic	48 Ohm
Switching frequency	< 0.6/LI ² Hz
Output overvoltage protection	By zener diode

Disclaimer: This documentation is not intended as a substitute for and is not to be used for determining suitability or reliability of these products for specific user applications

Output short-circuit protection	By current limiter and electronic circuit breaker
Reverse polarity protection	Reverse diode on power supply
Paralleling of outputs	Yes : 2 maximum
Isolation voltage	1500 V for 1 s
Net weight	0.33 kg

Environment

Standards	IEC 1131-2 Type 1
-----------	-------------------

Packing Units

Unit Type of Package 1	PCE
Number of Units in Package 1	1
Package 1 Weight	394 g
Package 1 Height	5.5 cm
Package 1 width	18 cm
Package 1 Length	26 cm
Unit Type of Package 2	S03
Number of Units in Package 2	8
Package 2 Weight	3.152 kg
Package 2 Height	30 cm
Package 2 width	30 cm
Package 2 Length	40 cm

Offer Sustainability

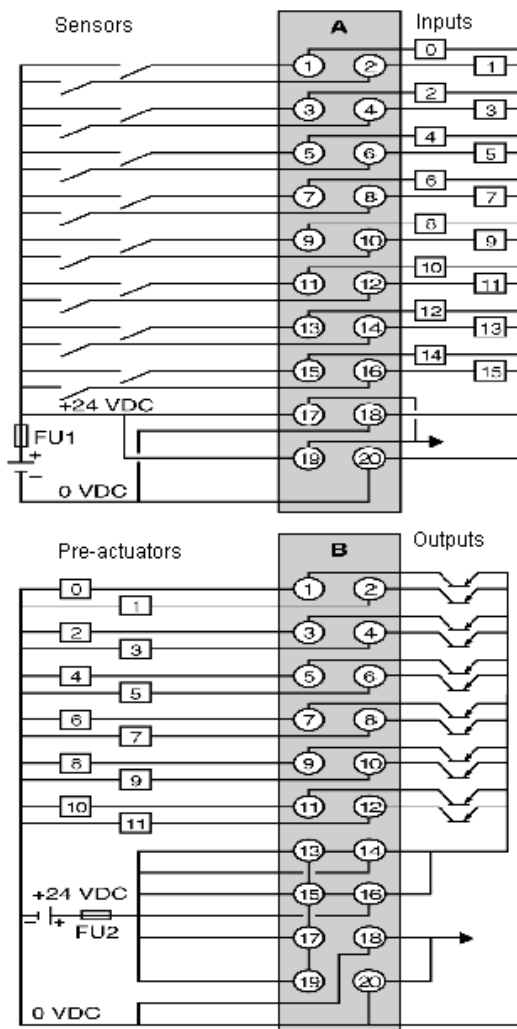
EU RoHS Directive	Not applicable, out of EU RoHS legal scope
China RoHS Regulation	China RoHS declaration
WEEE	The product must be disposed on European Union markets following specific waste collection and never end up in rubbish bins

Contractual warranty

Warranty	18 months
----------	-----------

Sensors/Inputs and pre-Actuators/Outputs Connections

Wiring Diagram



FU1 = 0.5A fuse with rapid fusion.

FU2 = 6.3A fuse with rapid fusion.