

Commercial status

Discontinued on: 31 December 2019

To be end-of-service on: 31 December 2027

TSXDEZ12D2 has not been replaced. Please contact your customer care center for more information.

ⓘ Restricted Sales for Services

Main

Range of product	Modicon TSX Micro automation platform
Product or component type	Discrete input module
Discrete input number	12 screw terminal block
Discrete input voltage	24 V DC, discrete input logic: positive or negative 19...30 V
Discrete input current	9 mA
Input voltage limits	≥ 11 V at state 1 < 5 V at state 0
Current state 0 guaranteed	≤ 1.5 mA
Current state 1 guaranteed	≥ 2.5 mA
Input impedance	2.4 Ohm
Response time	0.1...7.5 ms at state 0 to state 1 0.1...7.5 ms at state 1 to state 0

Complementary

Standards	IEC 1131-2 Type 1
Input compatibility	2/3-wire proximity sensors PNP/NPN
Discrete input type	Resistive
Current consumption	123 mA positive 107 mA negative
Isolation voltage	1500 V AC 1 s

Environment

Net weight	0.23 kg
------------	---------

Packing Units

Unit Type of Package 1	PCE
Number of Units in Package 1	1
Package 1 Weight	329 g
Package 1 Height	5.5 cm
Package 1 width	18 cm

Package 1 Length	26 cm
Unit Type of Package 2	S03
Number of Units in Package 2	8
Package 2 Weight	2.93 kg
Package 2 Height	30 cm
Package 2 width	30 cm
Package 2 Length	40 cm

Offer Sustainability

EU RoHS Directive	Not applicable, out of EU RoHS legal scope
China RoHS Regulation	China RoHS declaration
WEEE	The product must be disposed on European Union markets following specific waste collection and never end up in rubbish bins

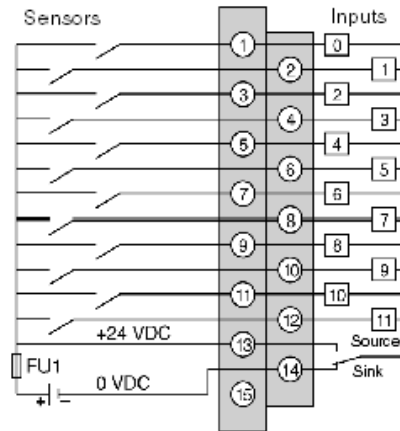
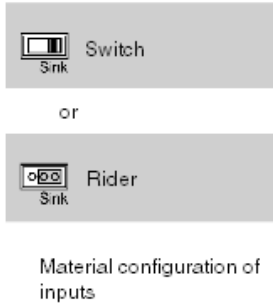
Contractual warranty

Warranty	18 months
----------	-----------

Sensors/Inputs Connections

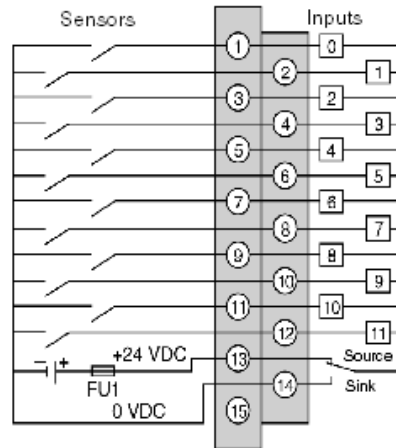
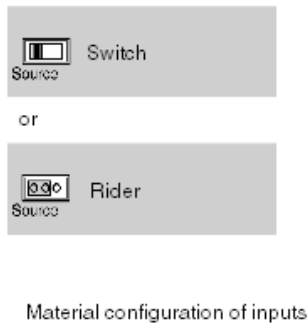
Wiring Diagrams

Positive logic inputs (Sink)



FU1 = 0.5A fuse with rapid fusion.

Negative logic input (Source)



FU1 = 0.5A fuse with rapid fusion.