

TM2DAI8DT

Discrete input module, Modicon M238 logic controller, 8 inputs 120 V AC, 1 removable screw terminal block



Commercial status

Discontinued on: 28 June 2019

To be end-of-service on: 30 June 2024

ⓘ Restricted Sales for Services

Main

Range of product	Modicon M238 logic controller
Product or component type	Discrete input module
Discrete input number	8
Discrete input voltage	120 V
Discrete input voltage type	AC

Complementary

Range compatibility	Twido Advantys OTB
Input voltage limits	85...132 V
Discrete input current	7.5 mA
Input impedance	11 kOhm
Number of common point	1
Response time	25 ms at state 1 30 ms at state 0
Isolation between channels	None
Isolation between channels and internal logic	1500 V for 1 minute
Current consumption	55 mA at 5 V DC at state 1
Local signalling	1 display block
Electrical connection	1 removable screw terminal block
Mounting support	35 mm symmetrical DIN rail
Net weight	0.085 kg

Environment

Depth	70 mm
-------	-------

Disclaimer: This documentation is not intended as a substitute for and is not to be used for determining suitability or reliability of these products for specific user applications

Height	90 mm
Width	23.5 mm

Packing Units

Package 1 Weight	0.155 kg
Package 1 Height	77.000 mm
Package 1 width	105.000 mm
Package 1 Length	125.000 mm

Offer Sustainability

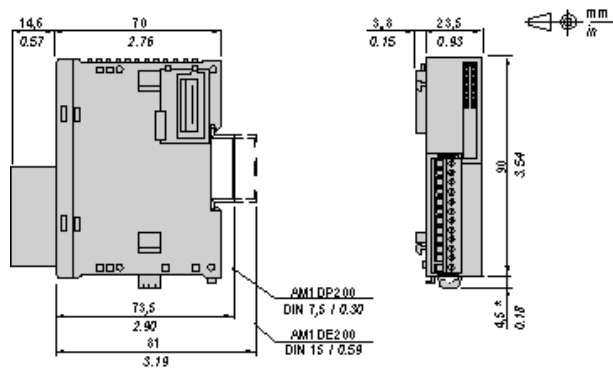
Sustainable offer status	Green Premium product
REACH Regulation	REACH Declaration
EU RoHS Directive	Pro-active compliance (Product out of EU RoHS legal scope) EU RoHS Declaration
Mercury free	Yes
RoHS exemption information	Yes
China RoHS Regulation	China RoHS declaration
Environmental Disclosure	Product Environmental Profile
Circularity Profile	End of Life Information
WEEE	The product must be disposed on European Union markets following specific waste collection and never end up in rubbish bins
PVC free	Yes
California proposition 65	WARNING: This product can expose you to chemicals including: Lead and lead compounds, which is known to the State of California to cause cancer and birth defects or other reproductive harm. For more information go to www.P65Warnings.ca.gov

Contractual warranty

Warranty	18 months
----------	-----------

Digital Input Module (8-channel, 120 Vac)

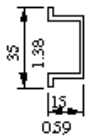
Dimensions



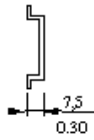
NOTE: * 8.5 mm (0.33 in) when the clamp is pulled out.

DIN Rail Mounting

AM1DE200
IEC/EN 60715



AM1DP200



AM1ED200



DZ5MB200

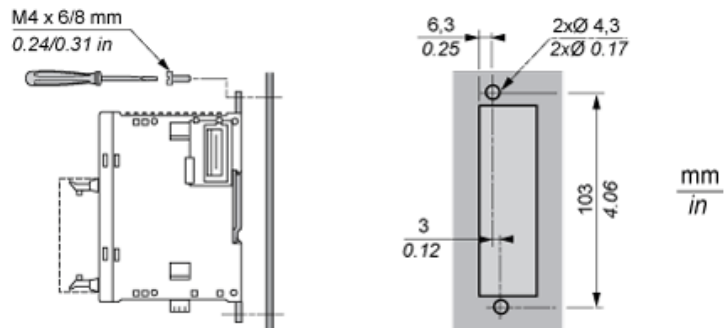


Rail depth	Catalogue part number
15 mm (0.59 in.)	AM1DE200
7,5 mm (0.30 in.)	AM1DP200

NOTE: Do not use AM1ED200 and DZ5MB200

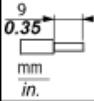

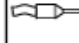
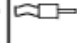



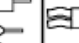
Module Mounting on a Panel Surface

Mounting Hole Layout



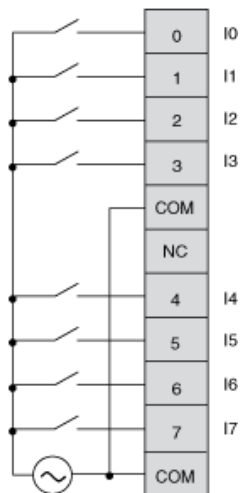
Wiring Requirements

Cable Types and Wire Sizes for Removable Screw Terminal Block

							
mm ²	0,14...1,5	0,25...0,5	0,25...1,5	0,14...0,5	0,14...0,75	0,25...0,34	0,5
AWG	26...16	24...20	24...16	26...20	26...18	24...22	20

Digital Input Module (8-channel, 120 Vac)

Wiring Diagram



The two COM terminals are not connected together internally.

TM2DAI8DT is replaced by the following product range:



Modicon TM3

Expansion I/O modules for Modicon M221, M241, M251 and M262

Boost the performance of your controller with the Modicon TM3 I/O system specially designed for the Modicon M221, M241, M251 and M262 logic controllers!