



Commercial status

Discontinued on: 28 June 2019

To be end-of-service on: 30 June 2024

ⓘ Restricted Sales for Services

Main

Range of product	Modicon M238 logic controller
Product or component type	Analog input module
Analogue input number	8
Analogue input type	Pt 100 temperature probe - 200...600 °C non differential Pt 1000 temperature probe - 50...200 °C non differential

Complementary

Range compatibility	Advantys OTB Twido
Analogue input resolution	12 bits
LSB value	0.006 °C Pt 1000 0.2 °C Pt 100
Input impedance	≥ 10 kOhm
Sampling duration	160 ms
Acquisition period	320 ms per group of channel + 1 controller cycle time
Measurement error	+/- 0.3 % of full scale Pt 1000 at 25 °C +/- 0.5 % of full scale Pt 100 at 25 °C
Temperature coefficient	+/-0.01 %FS/°C
Repeat accuracy	+/- 0.1 °C
Total error	1 °C, analogue input type: Pt 1000 4 °C, analogue input type: Pt 100
Insulation between channel and internal logic	Photocoupler
Supply	External supply
[Us] rated supply voltage	24 V DC
Supply voltage limits	19.2...30 V
Electrical connection	1 removable screw terminal block power supply 8 connectors RJ11 sensors

Disclaimer: This documentation is not intended as a substitute for and is not to be used for determining suitability or reliability of these products for specific user applications

Current consumption	<= 140 mA at 24 V DC external 90 mA at 5 V DC internal
Net weight	0.19 kg

Environment

Dielectric strength	500 V between the I/O and the external supply circuit 2500 V between the I/O and internal logic
Width	39.1 mm
Depth	70 mm
Height	90 mm

Packing Units

Package 1 Weight	0.148 kg
Package 1 Height	75.000 mm
Package 1 width	105.000 mm
Package 1 Length	125.000 mm

Offer Sustainability

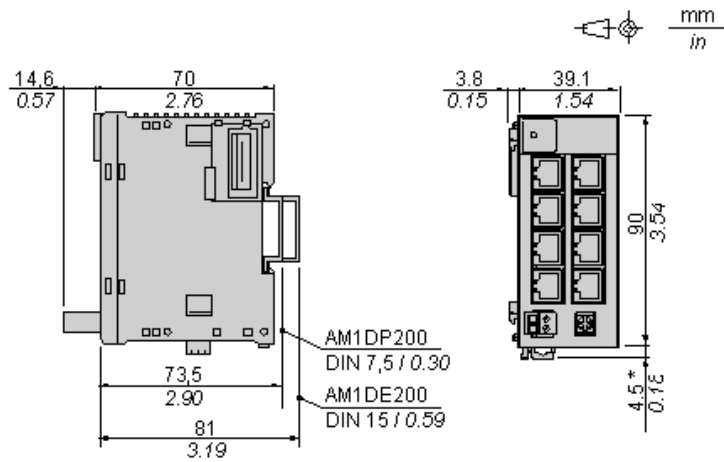
Sustainable offer status	Green Premium product
REACH Regulation	REACH Declaration
EU RoHS Directive	Pro-active compliance (Product out of EU RoHS legal scope) EU RoHS Declaration
Mercury free	Yes
RoHS exemption information	Yes
China RoHS Regulation	China RoHS declaration
Environmental Disclosure	Product Environmental Profile
Circularity Profile	End of Life Information
WEEE	The product must be disposed on European Union markets following specific waste collection and never end up in rubbish bins
PVC free	Yes
California proposition 65	WARNING: This product can expose you to chemicals including: Lead and lead compounds, which is known to the State of California to cause cancer and birth defects or other reproductive harm. For more information go to www.P65Warnings.ca.gov

Contractual warranty

Warranty	18 months
----------	-----------

Analog Input Module (8-channel, Temperature Probe)

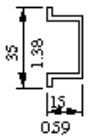
Dimensions



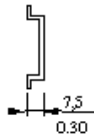
NOTE: * 8.5 mm (0.33 in) when the clip-on lock is pulled out.

DIN Rail Mounting

AM1DE200
 IEC/EN 60715



AM1DP200



AM1ED200



DZ5MB200

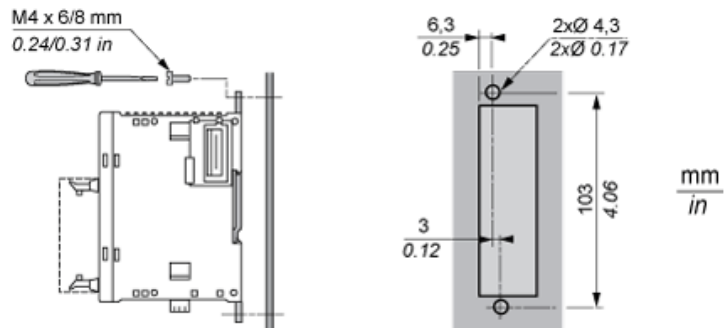


Rail depth	Catalogue part number
15 mm (0.59 in.)	AM1DE200
7,5 mm (0.30 in.)	AM1DP200

NOTE: Do not use AM1ED200 and DZ5MB200

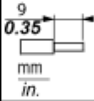

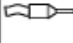
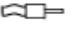




Module Mounting on a Panel Surface

Mounting Hole Layout



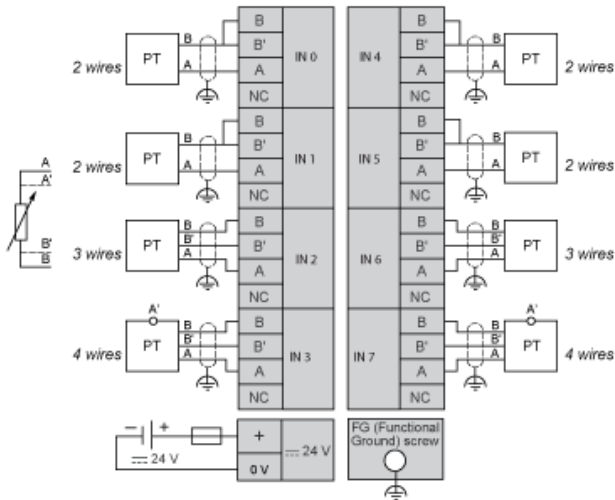
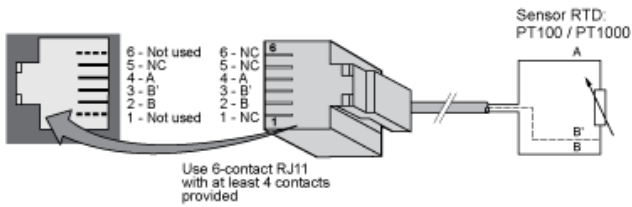
Wiring Requirements

Cable Types and Wire Sizes for Removable Screw Terminal Block

							
mm ²	0,14...1,5	0,25...0,5	0,25...1,5	0,14...0,5	0,14...0,75	0,25...0,34	0,5
AWG	26...16	24...20	24...16	26...20	26...18	24...22	20

Analog Input Module (8-channel, Temperature Probe)

Wiring Diagram



TM2ARI8LRJ is replaced by the following product range:



Modicon TM3

Expansion I/O modules for Modicon M221, M241, M251 and M262

Boost the performance of your controller with the Modicon TM3 I/O system specially designed for the Modicon M221, M241, M251 and M262 logic controllers!