

TM2AMI2LT

Analog input module, Modicon M238 logic controller, 2 inputs thermocouple low level, differential



Commercial status

Discontinued on: 28 June 2019

To be end-of-service on: 30 June 2024

ⓘ Restricted Sales for Services

Main

Range of product	Modicon M238 logic controller
Product or component type	Analog input module
Analogue input number	2
Input level	Low level
Analogue input type	thermocouple - 200...760 °C with thermocouple J differential thermocouple - 270...1370 °C with thermocouple K differential thermocouple - 270...400 °C with thermocouple T differential
Cross talk	<= 2 LSB

Complementary

Range compatibility	Twido Advantys OTB
Analogue input resolution	12 bits
LSB value	0.1 °C thermocouple thermocouple T 0.3 °C thermocouple thermocouple J 0.325 °C thermocouple thermocouple K
Permissible continuous overload	+/- 7.5 V, analogue input type: thermocouple
Input impedance	>= 1 MOhm thermocouple
Sampling duration	200 ms
Acquisition period	200 ms per channel + 1 controller cycle time
Measurement error	0.2 % +/- 5 °C of full scale at 25 °C
Temperature coefficient	+/-0.006 %FS/°C
Repeat accuracy	+/-0.5 %FS
Non-linearity	+/- 0.2 %FS
Total error	+/-1 %FS
Type of cable	Shielded cable

Disclaimer: This documentation is not intended as a substitute for and is not to be used for determining suitability or reliability of these products for specific user applications

Insulation between channel and internal logic	Photocoupler
Supply	External supply
[Us] rated supply voltage	24 V DC
Supply voltage limits	20.4...28.8 V
Electrical connection	1 removable screw terminal block
Current consumption	30 mA at 24 V DC external 60 mA at 5 V DC internal
Net weight	0.085 kg

Environment

Dielectric strength	500 V between the I/O and the external supply circuit 2500 V between the I/O and internal logic
Width	23.5 mm
Depth	70 mm
Height	90 mm

Packing Units

Unit Type of Package 1	PCE
Number of Units in Package 1	1
Package 1 Weight	154 g
Package 1 Height	7.5 cm
Package 1 width	10.5 cm
Package 1 Length	12.4 cm

Offer Sustainability

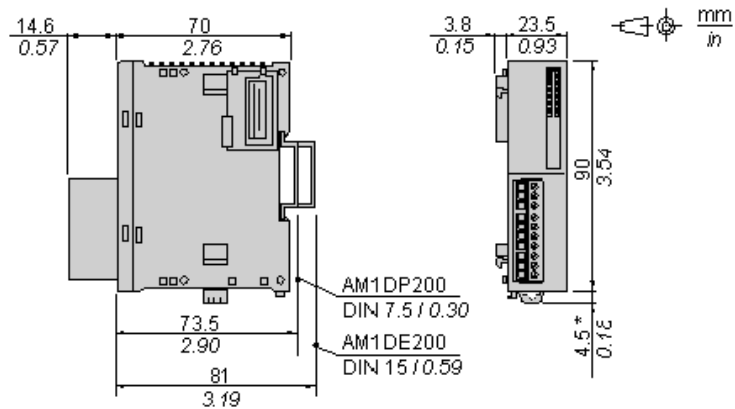
Sustainable offer status	Green Premium product
REACH Regulation	REACH Declaration
EU RoHS Directive	Pro-active compliance (Product out of EU RoHS legal scope) EU RoHS Declaration
Mercury free	Yes
RoHS exemption information	Yes
China RoHS Regulation	China RoHS declaration
Environmental Disclosure	Product Environmental Profile
Circularity Profile	End of Life Information
WEEE	The product must be disposed on European Union markets following specific waste collection and never end up in rubbish bins
PVC free	Yes
California proposition 65	WARNING: This product can expose you to chemicals including: Lead and lead compounds, which is known to the State of California to cause cancer and birth defects or other reproductive harm. For more information go to www.P65Warnings.ca.gov

Contractual warranty

Warranty	18 months
----------	-----------

Analog Input Module (2-channel, Thermocouple)

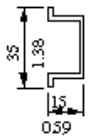
Dimensions



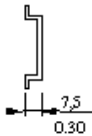
NOTE: * 8.5 mm (0.33 in) when the clip-on lock is pulled out.

DIN Rail Mounting

AM1DE200
 IEC/EN 60715



AM1DP200



AM1ED200



DZ5MB200

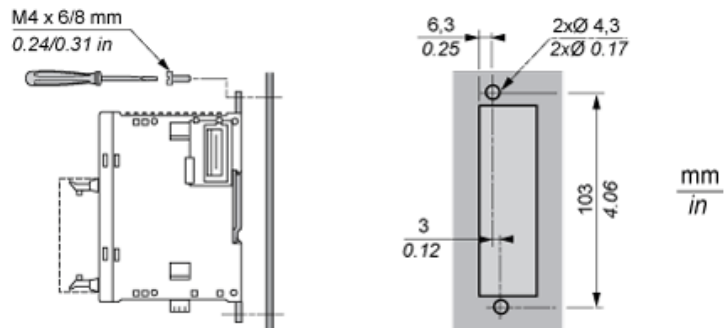


Rail depth	Catalogue part number
15 mm (0.59 in.)	AM1DE200
7,5 mm (0.30 in.)	AM1DP200

NOTE: Do not use AM1ED200 and DZ5MB200

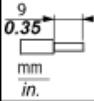

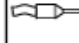
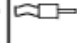



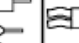
Module Mounting on a Panel Surface

Mounting Hole Layout



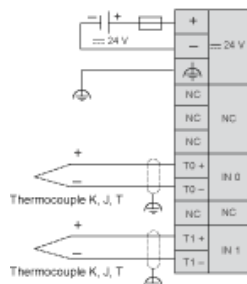
Wiring Requirements

Cable Types and Wire Sizes for Removable Screw Terminal Block

							
mm ²	0,14...1,5	0,25...0,5	0,25...1,5	0,14...0,5	0,14...0,75	0,25...0,34	0,5
AWG	26...16	24...20	24...16	26...20	26...18	24...22	20

Analog Input Module (2-channel, Thermocouple)

Wiring Diagram



(1) Thermocouple K, J, T

TM2AMI2LT is replaced by the following product range:



Modicon TM3

Expansion I/O modules for Modicon M221, M241, M251 and M262

Boost the performance of your controller with the Modicon TM3 I/O system specially designed for the Modicon M221, M241, M251 and M262 logic controllers!