

# RSLZVA4

Harmony, Socket equipped with LED and protection circuit, for RSL1 relays, screw connector, 230 V AC/DC



Product availability: Non-Stock - Not normally stocked in distribution facility

Price\*: 14.64 USD



## Main

Range of Product	Harmony Electromechanical Relays
Product or Component Type	Socket
Contact terminal arrangement	Separate
Product compatibility	Plug-in relay RSL 1 C/O 60 V DC Plug-in relay RSL
Shape of pin	Flat
Device short name	RSLZ
Device presentation	Basic element
Sale per indivisible quantity	10
Switching voltage	230 V AC/DC

## Complementary

[Ith] conventional free air thermal current	6 A
[Ue] rated operational voltage	< 300 V AC
Tightening torque	< 0.5 N.m M2.5
Fixing mode	Plastic compression spring 35 mm symmetrical DIN rail)
Marking	CE
CAD overall width	0.24 In (6.2 mm)
CAD overall height	3.09 In (78.6 mm)
CAD overall depth	3.74 In (95 mm)
Net weight	0.05 Lb(US) (0.023 kg)
Rated operational voltage limits	184...264.5 V
Group of product	RSL_CON_230
Compatibility code	RSLZ

## Environment

Connections - terminals	Connector, 1 x 0.2...1 x 2.5 mm <sup>2</sup> AWG 24...AWG 14) flexible with cable end Connector, 1 x 0.2...1 x 2.5 mm <sup>2</sup> AWG 24...AWG 14) solid without cable end
Standards	IEC 61984 UL 508
Product certifications	GOST CSA
Ambient Air Temperature for Storage	-40...185 °F (-40...85 °C)
Ambient Air Temperature for Operation	-40...131 °F (-40...55 °C)
IP degree of protection	IP20 conforming to EN/IEC 60529
Dielectric strength	2500 V

## Ordering and shipping details

Category	21127 - ZELIO ICE CUBE RELAYS
Discount Schedule	CP2
GTIN	3606480078057
Nbr. of units in pkg.	1
Package weight(Lbs)	0.81 Oz (23 g)
Returnability	No
Country of origin	CN

## Packing Units

Unit Type of Package 1	PCE
Package 1 Height	0.28 In (0.7 cm)
Package 1 width	3.15 In (8 cm)
Package 1 Length	4.02 In (10.2 cm)
Unit Type of Package 2	BB1
Number of Units in Package 2	10
Package 2 Weight	9.14 Oz (259 g)
Package 2 Height	3.35 In (8.5 cm)
Package 2 width	2.76 In (7 cm)
Package 2 Length	4.21 In (10.7 cm)
Unit Type of Package 3	CAR
Number of Units in Package 3	10
Package 3 Weight	10.30 Oz (292 g)
Package 3 Height	2.76 In (7 cm)
Package 3 width	3.54 In (9 cm)
Package 3 Length	4.25 In (10.8 cm)

## Offer Sustainability

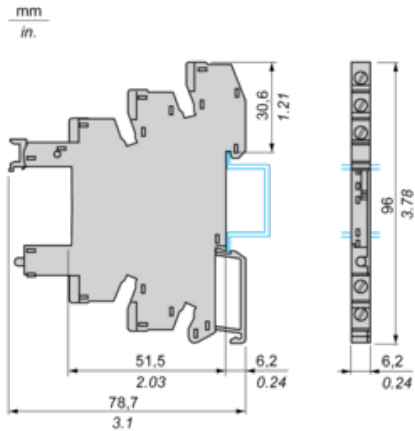
Sustainable offer status	Green Premium product
California proposition 65	WARNING: This product can expose you to chemicals including: Nickel compounds, which is known to the State of California to cause cancer, and Di-isodecyl phthalate (DIDP), which is known to the State of California to cause birth defects or other reproductive harm. For more information go to <a href="http://www.P65Warnings.ca.gov">www.P65Warnings.ca.gov</a>
REACH Regulation	<a href="#">REACH Declaration</a>
REACH free of SVHC	Yes
EU RoHS Directive	Pro-active compliance (Product out of EU RoHS legal scope) <a href="#">EU RoHS Declaration</a>
Toxic heavy metal free	Yes
Mercury free	Yes
RoHS exemption information	<a href="#">Yes</a>

China RoHS Regulation	<a href="#">China RoHS Declaration</a>
Environmental Disclosure	<a href="#">Product Environmental Profile</a>
Circularity Profile	<a href="#">End Of Life Information</a>
WEEE	The product must be disposed on European Union markets following specific waste collection and never end up in rubbish bins.

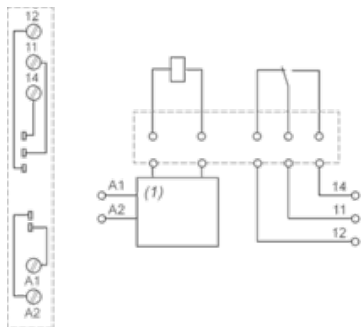
### Contractual warranty

Warranty	18 months
----------	-----------

Dimensions



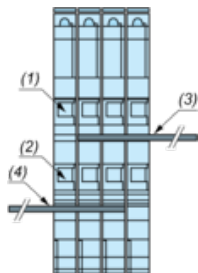
## Wiring Diagram



(1) Protection circuit

## Example of RSLZ2 Bus Jumper Mounting on Sockets

Side View



- (1) A1
- (2) A2
- (3) Bus jumper polarity A1
- (4) Bus jumper polarity A2

Product Life Status : **Commercialised**