



Commercial status

Discontinued on: 31 December 2016

To be end-of-service on: 31 December 2021

TWDNAC485D has not been replaced. Please contact your customer care center for more information.

ⓘ Restricted Sales for Services

Main

Range of product	Twido
Accessory / separate part category	Adaptation accessories
Accessory / separate part type	Adaptor
Accessory / separate part designation	Serial interface adaptor
Product compatibility	TWDLCAA40DRF TWDLCDE40DRF TWDLMDA20DRT TWDLCA16DRF TWDLMDA20DUK TWDLCAA24DRF TWDXCPODM TWDLCAE40DRF TWDLMDA40DTK TWDLCA40DRF TWDLMDA20DTK TWDLCAA16DRF TWDLCA24DRF TWDLMDA40DUK
Accessory / separate part destination	Base controller Integrated display module
Communication port support	RS485
Electrical connection	1 connector

Complementary

Connector type	Mini DIN
Net weight	0.01 kg

Packing Units

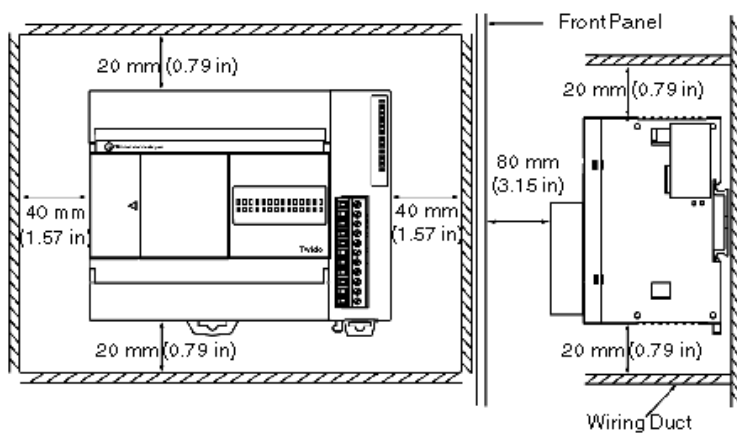
Package 1 Weight	0.012 kg
Package 1 Height	30.000 mm
Package 1 width	50.000 mm
Package 1 Length	75.000 mm

Contractual warranty

Warranty	18 months
----------	-----------

Minimum Clearances

For a Compact Base and Expansion I/O Modules



For a Modular Base and Expansion I/O Modules

