



Main

Range of product	Modicon STB distributed I/O solution
Product or component type	Basic analog output kit
Kit composition	STBXTS1100, 6-terminal screw type connector STBXBA1000 base STBAVO1255 module STBXTS2100, 6-terminal spring clamp connector
Analogue output type	Voltage: 0...10 V
Analogue output number	2
Analogue output resolution	10 bits

Complementary

Analogue output current	0.005 A
Response time	3 ms
Cold swapping	Yes
Hot swapping	No for basic NIMs
Fallback	State 0
Data format	IEC 61131-2 EN 61131-2
Update time	25 ms
Protection type	Short-circuit protection
Integral linearity	+/- 0.1 %FS
Differential linearity	Monotonic
Absolute accuracy error	+/- 0.5 % of full scale at 25 °C
Temperature drift	+/-0.01 %/°C
Insulation between channels and logic bus	1500 V for 1 minute
Insulation between channels and actuator bus	30 V

Addressing requirement	2 output words
Product compatibility	Mounting base STBXBA1000 Power distribution module STBPDT3100/3105
[Us] rated supply voltage	24 V DC
Supply	Power distribution module
Current consumption	45 mA at 5 V DC for logic bus
Marking	CE
Overvoltage category	II
Status LED	1 LED (green)module status (RDY)
Depth	70 mm
Height	13.9 mm
Width	128.3 mm
Net weight	0.116 kg

Environment

Product certifications	FM Class 1 Division 2 UL CSA
Pollution degree	2 conforming to IEC 60664-1
Operating altitude	<= 2000 m
IP degree of protection	IP20 conforming to EN 61131-2 class 1
Ambient air temperature for operation	0...60 °C (without)
Ambient air temperature for operation	32...140 °F without
Ambient air temperature for storage	-40...85 °C without
Ambient air temperature for storage	-40...185 °F without
Relative humidity	95 % at 60 °C without condensation
Vibration resistance	3 gn at 58...150 Hz on 35 x 7.5 mm symmetrical DIN rail 5 gn at 58...150 Hz on 35 x 15 mm symmetrical DIN rail +/-0.35 mm at 10...58 Hz
Shock resistance	30 gn for 11 ms conforming to IEC 88 reference 2-27

Packing Units

Package 1 Weight	0.136 kg
Package 1 Height	25.000 mm
Package 1 width	80.000 mm
Package 1 Length	130.000 mm

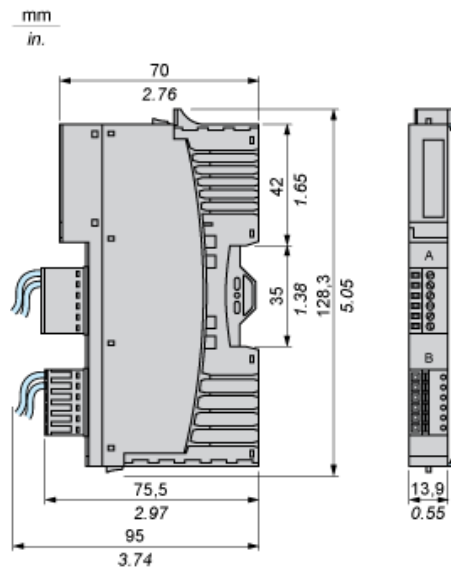
Offer Sustainability

Sustainable offer status	Green Premium product
REACH Regulation	REACH Declaration
EU RoHS Directive	Pro-active compliance (Product out of EU RoHS legal scope) EU RoHS Declaration
Mercury free	Yes
RoHS exemption information	Yes
China RoHS Regulation	China RoHS declaration
Environmental Disclosure	Product Environmental Profile
Circularity Profile	End of Life Information
WEEE	The product must be disposed on European Union markets following specific waste collection and never end up in rubbish bins

Contractual warranty

Warranty	18 months
----------	-----------

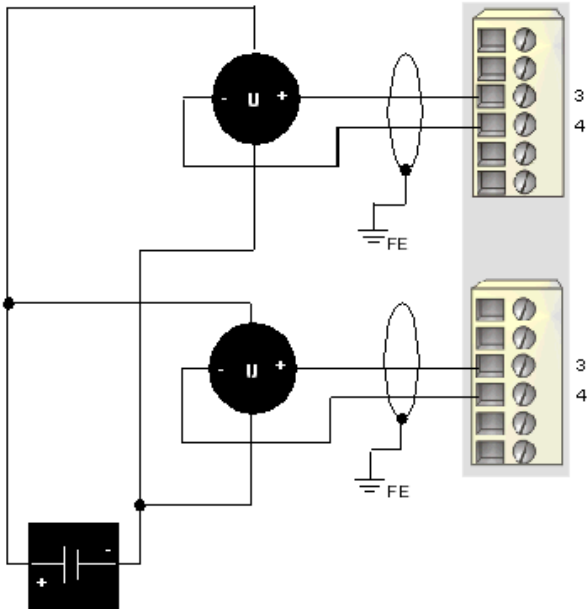
Dimensions



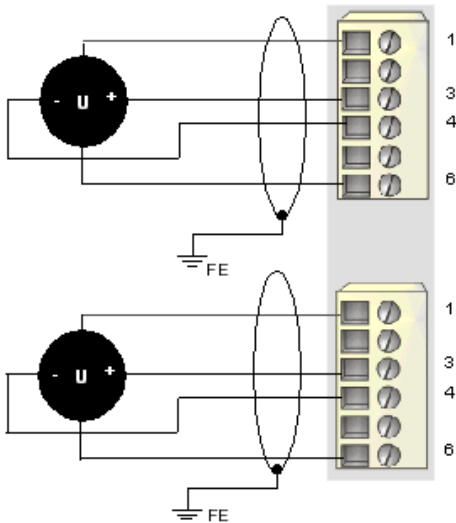
Wiring Diagrams

Examples

2 isolated analog actuators, external 24 VDC power supply



2 non-isolated analog actuators, 24 VDC supplied by the PDM



Pin	Top Connections	Bottom Connections
1	+24 VDC from the island's field power bus for field device accessories	+24 VDC from the island's field power bus for field device accessories
2	no connection	no connection
3	output to actuator 1	output to actuator 2
4	output channel return	output channel return
5	no connection	no connection

Pin	Top Connections	Bottom Connections
6	field power return (to the module)	field power return (to the module)