



Main

Range of product	Modicon STB distributed I/O solution
Product or component type	Standard analog input kit
Kit composition	STBXBA1000 base STBAVI1400 module STBXTS2100, 6-terminal spring clamp connector STBXTS1100, 6-terminal screw type connector
Analogue input type	Voltage +/- 10 V Voltage +/- 5 V Voltage 0...10 V Voltage 0...5 V Voltage 1...5 V
Analogue input number	8
Analogue input resolution	15 bits + sign
Type of filter	Single low pass input filter 25 Hz

Complementary

Absolute maximum input	50 V DC
Cold swapping	Yes
Hot swapping fallback	Yes for standard NIMs
Fallback status	State 0 basic NIMs User configurable standard NIMs
Data format	IEC 61131-2 EN 61131-2
Update time	22 ms
Integral linearity	+/- 0.2 %FS
Differential linearity	Monotonic
Input impedance	400 kOhm
Maximum supply current for sensors	100 mA per input channels
Maximum source impedance	1 kOhm

Absolute accuracy error	+/- 0.75 % of full scale 25 °C
Temperature drift	+/-0.01 %/°C
Insulation between channels and logic bus	1500 V for 1 minute
Insulation between channels and sensor bus	30 V
Addressing requirement	2 input words
Product compatibility	Power distribution module STBPDT3100/3105 Mounting base STBXBA1000
[Us] rated supply voltage	24 V DC
Supply	Power distribution module
Current consumption	90 mA at 5 V DC for logic bus
Marking	CE
Overvoltage category	II
Status LED	1 LED (green)module status (RDY) 1 LED (red)module error (ERR)

Environment

Product certifications	ATEX Cat 3G CSA FM Class 1 Division 2 C-Tick UL
Pollution degree	2 conforming to IEC 60664-1
Operating altitude	<= 2000 m
IP degree of protection	IP20 conforming to EN 61131-2 class 1
Ambient air temperature for operation	-25...70 °C
Ambient air temperature for operation	- 13...158 °F without derating
Ambient air temperature for storage	-40...85 °C without derating
Ambient air temperature for storage	-40...185 °F without derating
Relative humidity	95 % at 60 °C without condensation
Vibration resistance	+/-0.35 mm at 10...58 Hz 3 gn at 58...150 Hz on 35 x 7.5 mm symmetrical DIN rail 5 gn at 58...150 Hz on 35 x 15 mm symmetrical DIN rail
Shock resistance	30 gn for 11 ms conforming to IEC 88 reference 2-27

Packing Units

Package 1 Weight	0.144 kg
Package 1 Height	30.000 mm
Package 1 width	80.000 mm
Package 1 Length	130.000 mm

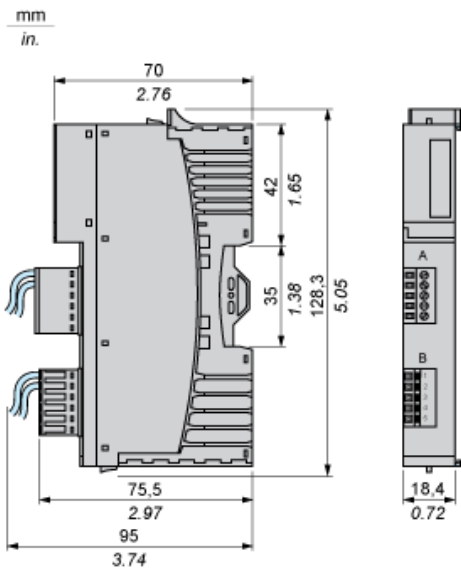
Offer Sustainability

Sustainable offer status	Green Premium product
REACH Regulation	REACH Declaration
EU RoHS Directive	Pro-active compliance (Product out of EU RoHS legal scope) EU RoHS Declaration
Mercury free	Yes
RoHS exemption information	Yes
China RoHS Regulation	China RoHS declaration
Environmental Disclosure	Product Environmental Profile
Circularity Profile	End of Life Information
WEEE	The product must be disposed on European Union markets following specific waste collection and never end up in rubbish bins

Contractual warranty

Warranty	18 months
----------	-----------

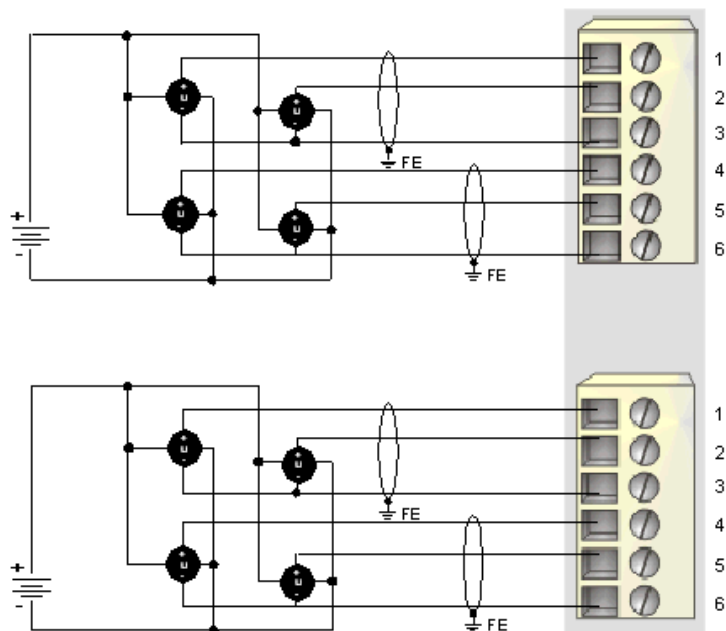
Dimensions



Wiring Diagram

Example

8 isolated analog sensors, external 24 VDC power supply



Pin	Top Connections	Bottom Connections
1	voltage in 1	voltage in 5
2	voltage in 2	voltage in 6
3	return	return
4	voltage in 3	voltage in 7
5	voltage in 4	voltage in 8
6	return	return