

# Product data sheet

Specifications



Inductive proximity sensors XS, inductive sensor XS6 M18, L62mm, brass, Sn8mm, 24...240VAC/DC, cable 2 m

XS618B1MAL2

## Main

Range of product	Telemecanique Inductive proximity sensors XS
Series name	General purpose
Sensor type	Inductive proximity sensor
Sensor name	XS6
Sensor design	Cylindrical M18
Size	62 mm
Body type	Fixed
Detector flush mounting acceptance	Flush mountable
Material	Metal
Type of output signal	Discrete
Wiring technique	2-wire
[Sn] nominal sensing distance	8 mm
Discrete output function	1 NO
Output circuit type	AC/DC
Electrical connection	Cable
Cable length	2 m
[Us] rated supply voltage	24...240 V AC/DC 50/60 Hz
Switching capacity in mA	5...200 mA DC 5...300 mA AC
IP degree of protection	IP68 double insulation conforming to IEC 60529 IP69K conforming to DIN 40050

## Complementary

Thread type	M18 x 1
Detection face	Frontal
Front material	PPS
Enclosure material	Nickel plated brass
Sensing range	> 4...8 mm
Operating zone	0...6.4 mm
Differential travel	1...15% of Sr

<b>Cable composition</b>	2 x 0.34 mm <sup>2</sup>
<b>Wire insulation material</b>	PvR
<b>Status LED</b>	Output state: 1 LED (yellow)
<b>Supply voltage limits</b>	20...264 V AC/DC
<b>Maximum residual current</b>	0.8 mA open state
<b>Switching frequency</b>	<= 1000 Hz DC <= 25 Hz AC
<b>Maximum voltage drop</b>	<5.5 V (closed)
<b>Maximum delay first up</b>	25 ms
<b>Maximum delay response</b>	0.5 ms
<b>Maximum delay recovery</b>	0.5 ms
<b>Marking</b>	CE
<b>Threaded length</b>	52 mm
<b>Length</b>	62 mm
<b>Net weight</b>	0.12 kg

## Environment

<b>Product certifications</b>	CSA UL
<b>Ambient air temperature for operation</b>	-25...70 °C
<b>Ambient air temperature for storage</b>	-40...85 °C
<b>Vibration resistance</b>	25 gn amplitude = +/- 2 mm (f = 10...55 Hz) conforming to IEC 60068-2-6
<b>Shock resistance</b>	50 gn for 11 ms conforming to IEC 60068-2-27

## Packing Units

<b>Unit Type of Package 1</b>	PCE
<b>Number of Units in Package 1</b>	1
<b>Package 1 Weight</b>	122 g
<b>Package 1 Height</b>	4.2 cm
<b>Package 1 width</b>	9.7 cm
<b>Package 1 Length</b>	13.2 cm
<b>Unit Type of Package 2</b>	P06
<b>Number of Units in Package 2</b>	352
<b>Package 2 Weight</b>	56.444 kg
<b>Package 2 Height</b>	77 cm
<b>Package 2 width</b>	80 cm
<b>Package 2 Length</b>	60 cm
<b>Unit Type of Package 3</b>	S03
<b>Number of Units in Package 3</b>	44
<b>Package 3 Weight</b>	6.081 kg
<b>Package 3 Height</b>	30 cm
<b>Package 3 width</b>	30 cm
<b>Package 3 Length</b>	40 cm

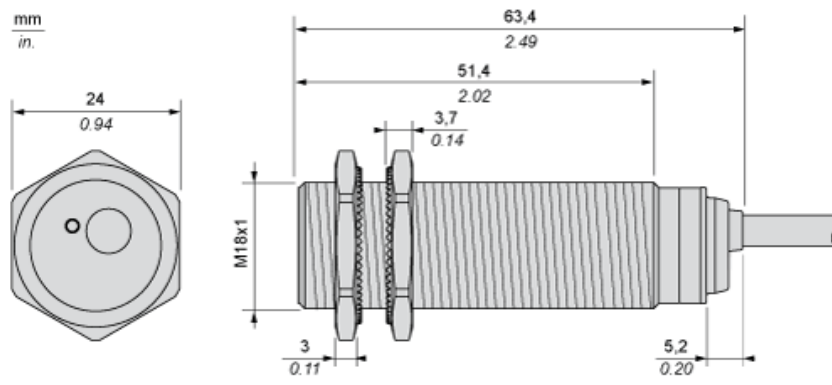
## Offer Sustainability

<b>Sustainable offer status</b>	Green Premium product
<b>REACH Regulation</b>	<a href="#">REACH Declaration</a>
<b>EU RoHS Directive</b>	Pro-active compliance (Product out of EU RoHS legal scope) <a href="#">EU RoHS Declaration</a>
<b>Mercury free</b>	Yes
<b>RoHS exemption information</b>	Yes
<b>Environmental Disclosure</b>	<a href="#">Product Environmental Profile</a>
<b>Circularity Profile</b>	<a href="#">End of Life Information</a>
<b>California proposition 65</b>	WARNING: This product can expose you to chemicals including: Diisononyl phthalate (DINP), which is known to the State of California to cause cancer, and Di-isodecyl phthalate (DIDP), which is known to the State of California to cause birth defects or other reproductive harm. For more information go to <a href="http://www.P65Warnings.ca.gov">www.P65Warnings.ca.gov</a>

## Contractual warranty

<b>Warranty</b>	18 months
-----------------	-----------

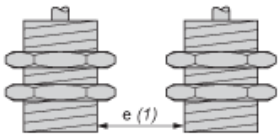
Dimensions



**Minimum Mounting Distances**

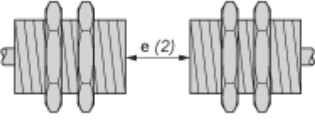
---

Side by side



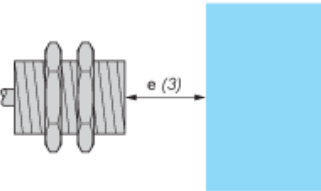
**e (1) ≥ 16 mm/0.63 in.**

Face to face



**e (2) ≥ 100 mm/3.94 in.**

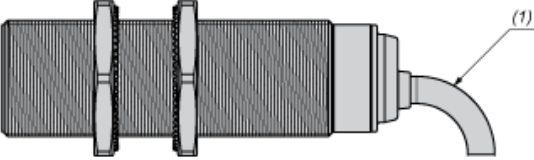
Facing a metal object



**e (3) ≥ 25 mm/0.98 in**

**Mounting**

---



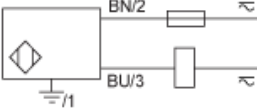
(1) Bending cable: 4 x external cable diameter

**Wiring Schemes**

---

**2-Wire AC or DC**

NO output



**BU :** Blue  
**BN :** Brown