

# Product data sheet

Specifications



## Inductive proximity sensors XS, inductive sensor XS8 80x80x26, PBT, Sn60mm, 12...24 VDC, cable 2 m

XS8D1A1PBL2

### Main

Range of product	Telemecanique Inductive proximity sensors XS
Series name	General purpose
Sensor type	Inductive proximity sensor
Device application	-
Sensor name	XS8
Sensor design	Flat form 80 x 80 x 26
Size	26 mm
Body type	Fixed
Detector flush mounting acceptance	Non flush mountable
Material	Plastic
Enclosure material	PBT
Type of output signal	Discrete
Wiring technique	3-wire
[Sn] nominal sensing distance	40 mm flush mountable 60 mm non flush mountable
Discrete output function	1 NC
Output circuit type	DC
Discrete output type	PNP
Electrical connection	Cable
Cable length	2 m
[Us] rated supply voltage	12...24 V DC with reverse polarity protection
Switching capacity in mA	<= 200 mA DC with overload and short-circuit protection
IP degree of protection	IP68 double insulation conforming to IEC 60529

### Complementary

Detection face	Frontal
Front material	PBT
Fine adjustment zone	20...40 mm flush mountable 20...60 mm non flush mountable
Differential travel	1...15% of Sr

<b>Cable composition</b>	3 x 0.34 mm <sup>2</sup>
<b>Wire insulation material</b>	PvR
<b>Supply voltage limits</b>	10...36 V DC
<b>Maximum residual current</b>	1.5 mA open state
<b>Switching frequency</b>	<= 150 Hz
<b>Maximum voltage drop</b>	<2 V (closed)
<b>Current consumption</b>	<= 10 mA no-load
<b>Maximum delay first up</b>	10 ms
<b>Maximum delay response</b>	0.3 ms
<b>Maximum delay recovery</b>	6 ms
<b>Marking</b>	CE
<b>Depth</b>	26 mm
<b>Height</b>	80 mm
<b>Width</b>	80 mm
<b>Net weight</b>	0.39 kg

## Environment

<b>Product certifications</b>	UL CSA Ecolab
<b>Ambient air temperature for operation</b>	-25...70 °C
<b>Ambient air temperature for storage</b>	-40...85 °C
<b>Vibration resistance</b>	25 gn amplitude = +/- 2 mm (f = 10...55 Hz) conforming to IEC 60068-2-6
<b>Shock resistance</b>	50 gn for 11 ms conforming to IEC 60068-2-27

## Packing Units

<b>Unit Type of Package 1</b>	PCE
<b>Number of Units in Package 1</b>	1
<b>Package 1 Weight</b>	430 g
<b>Package 1 Height</b>	13.2 cm
<b>Package 1 width</b>	9.8 cm
<b>Package 1 Length</b>	7 cm
<b>Unit Type of Package 2</b>	S02
<b>Number of Units in Package 2</b>	14
<b>Package 2 Weight</b>	6.356 kg
<b>Package 2 Height</b>	15 cm
<b>Package 2 width</b>	30 cm
<b>Package 2 Length</b>	40 cm

## Offer Sustainability

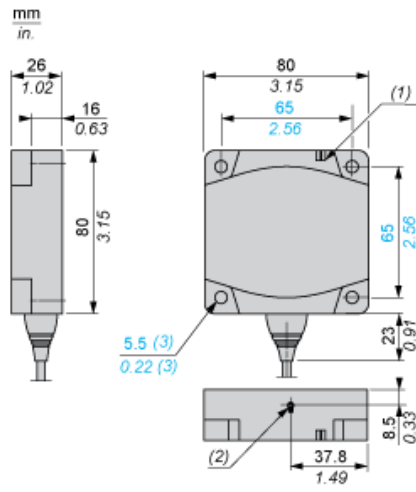
<b>Sustainable offer status</b>	Green Premium product
<b>REACH Regulation</b>	<a href="#">REACH Declaration</a>
<b>EU RoHS Directive</b>	Pro-active compliance (Product out of EU RoHS legal scope) <a href="#">EU RoHS Declaration</a>

<b>Mercury free</b>	Yes
<b>RoHS exemption information</b>	<a href="#">Yes</a>
<b>Environmental Disclosure</b>	<a href="#">Product Environmental Profile</a>
<b>California proposition 65</b>	WARNING: This product can expose you to chemicals including: Diisononyl phthalate (DINP), which is known to the State of California to cause cancer, and Di-isodecyl phthalate (DIDP), which is known to the State of California to cause birth defects or other reproductive harm. For more information go to <a href="http://www.P65Warnings.ca.gov">www.P65Warnings.ca.gov</a>

### Contractual warranty

<b>Warranty</b>	18 months
-----------------	-----------

## Dimensions

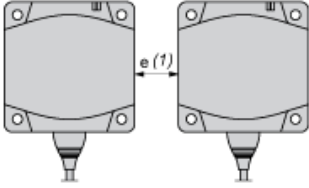


- (1) LED
- (2) Teach mode button
- (3) For CHC type screws

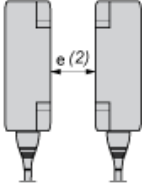
**Setting-up**

**Minimum Mounting Distances (mm)**

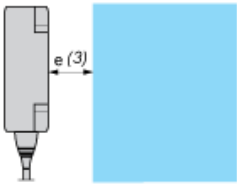
**Side by Side**



**Face to Face**



**Facing a Metal Object**

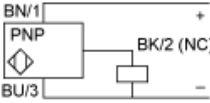


	e (1)	e (2)	e (3)
Flush mounted	200	400	40
Not flush mounted	600	not recommended	

**Wiring Schemes**

---

**PNP**



- BU :** Blue
- BN :** Brown
- BK :** Black